

Datasheet: com.tom GRAPHIC 4.11

The local Dashboard com.tom GRAPHIC 4.11 combines all components for a powerful embedded HMI application, including factory and building automation. The HMI is equipped with a 4.3" TFT with touch, ARM Cortex controller, Power-LED and backlight controller with an ambient light and proximity sensor.

The unit is designed for Panel mounting by means of one or two threaded nozzle with 22 mm diameter.

The com.tom GRAPHIC 4.11 is equipped with SpiderControl™ MicroBrowser. The MicroBrowser is able to run CODESYS WebVisu or com.tom Web-Visualization directly from the Web-server of the controller device.



Technical data

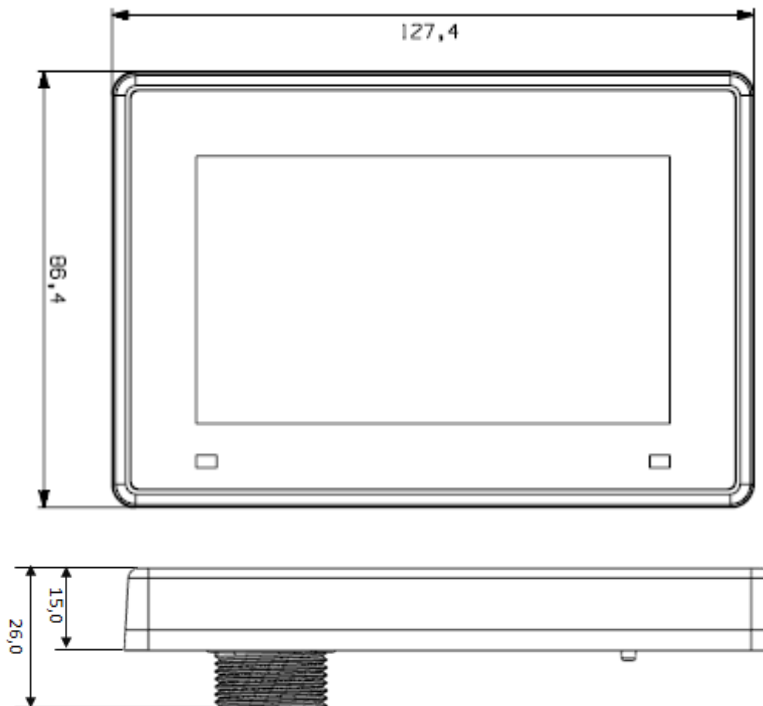
TFT display	4,3" (10,9 cm), 480 x 272 Pixel, 64K colors Contrast Ratio Typ. 500 Luminance typ. 220cd/m ²
Backlight type	LED, dimmable. Lifetime 20K hrs. at 100%
Touch	Resistive
Graphic controller	Cortex-M3
Frame memory	SDRAM 128MBit (8M x 16)
Additional memory	SPI Flash chip
Ethernet interface	10/100Mbit Connected over accessory adapter
Supply voltage	12 - 24 VDC (±10%) approx. < 2 W Connected over accessory adapter

Software

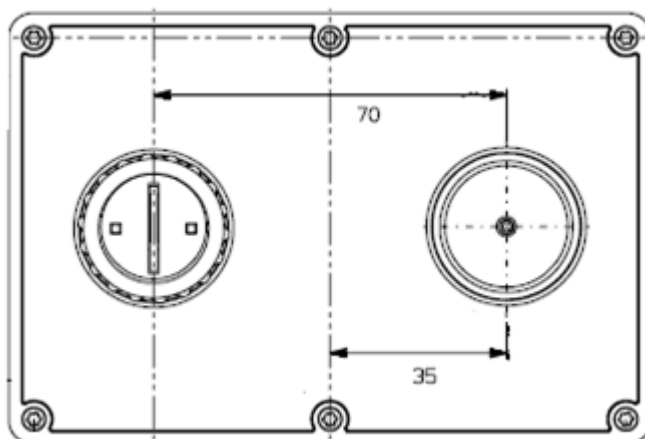
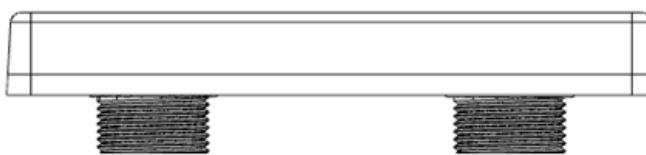
Microbrowser	GC-touch acts as a Browser over http. The MicroBrowser supports visualizations designed with: <ul style="list-style-type: none"> - CODESYS (2.3 & 3.x), except <ul style="list-style-type: none"> - Font styles underline/strikethrough - Frame style other than solid - Tooltip-display - Keyboard shortcuts - Run external program - Watchlists / Receipts - SpiderControl - SpiderControl Wago - SpiderControl Siemens S7-200/300 (with integrated Web server) - SpiderControl Panasonic - SpiderControl Beckhoff
--------------	------------------------------------------------------------------------------------------------------------------------------------------------------------------------------------------------------------------------------------------------------------------------------------------------------------------------------------------------------------------------------------------------------------------------------------------------------------------------------------------------------------------------------------------------------------------------------------------------------------------------------------------------------

Mechanical data

Size (W x L x H) with connector	86.4 x 127.4 x 15 mm with accessory adapter (H): 60 mm
Mounting	22 mm nozzle, optional with 2 nozzles associated nut(s) included max 5 mm panel thickness
Material	Back: Polycarbonate, colour: black Front: ABS resin, color: different gray shades



Option with two nozzles:



Environmental

Operating temperature (TA)	0°C to +55°C
Protection class	IP65 (Front), IP00 (Back)
Storage temperature	-20 to +70 °C
Operating and storage humidity	5 – 85 % relative humidity, non-condensing

Compliance and Conformity

CE, RoHS/WEEE	
- EMC emission	IEC 61000-6-3
- EMC immunity	IEC 61000-6-2
- Electrical Shock	IEC 61140: Class III
- Low Voltage Directive	IEC 60950-1

Ordering information

com.tom GRAPHIC 4.11:	Order-No.:	Color combinations*:
- with ONE nozzle	00570913	LG-R AN-R LG-B AN-B
- with TWO nozzles	00570914	LG-R AN-R LG-B AN-B

***Color combinations**

Front:	■ LG: light grey
	■ AN: anthracite grey
Front foil:	■ R: red
	■ B: black

Accessory:	Order-No.:
- Adapter C.T.GRAPHIC ETH-01	00570869
- Adapter C.T.GRAPHIC ETH-03	00570928
- Adapter C.T.GRAPHIC ETH-03S	00570996